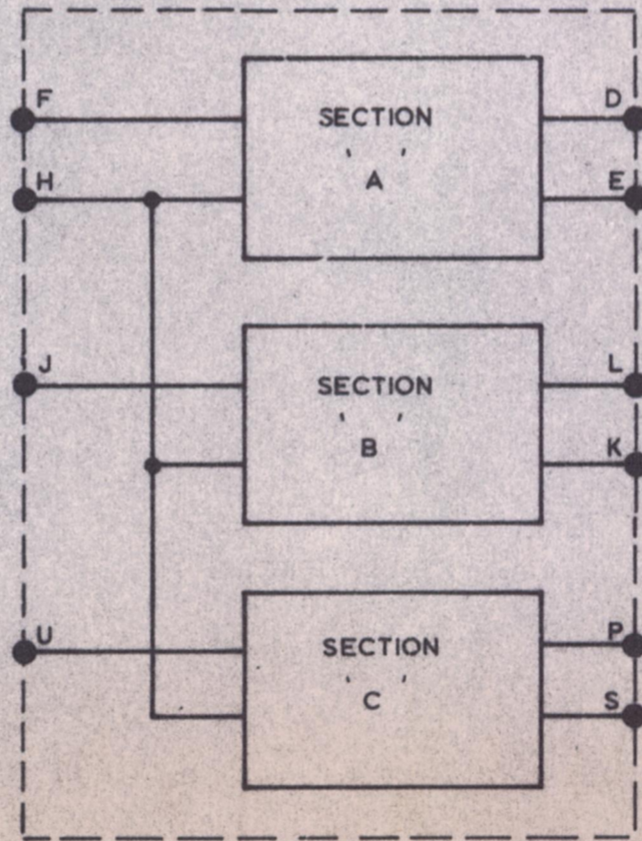
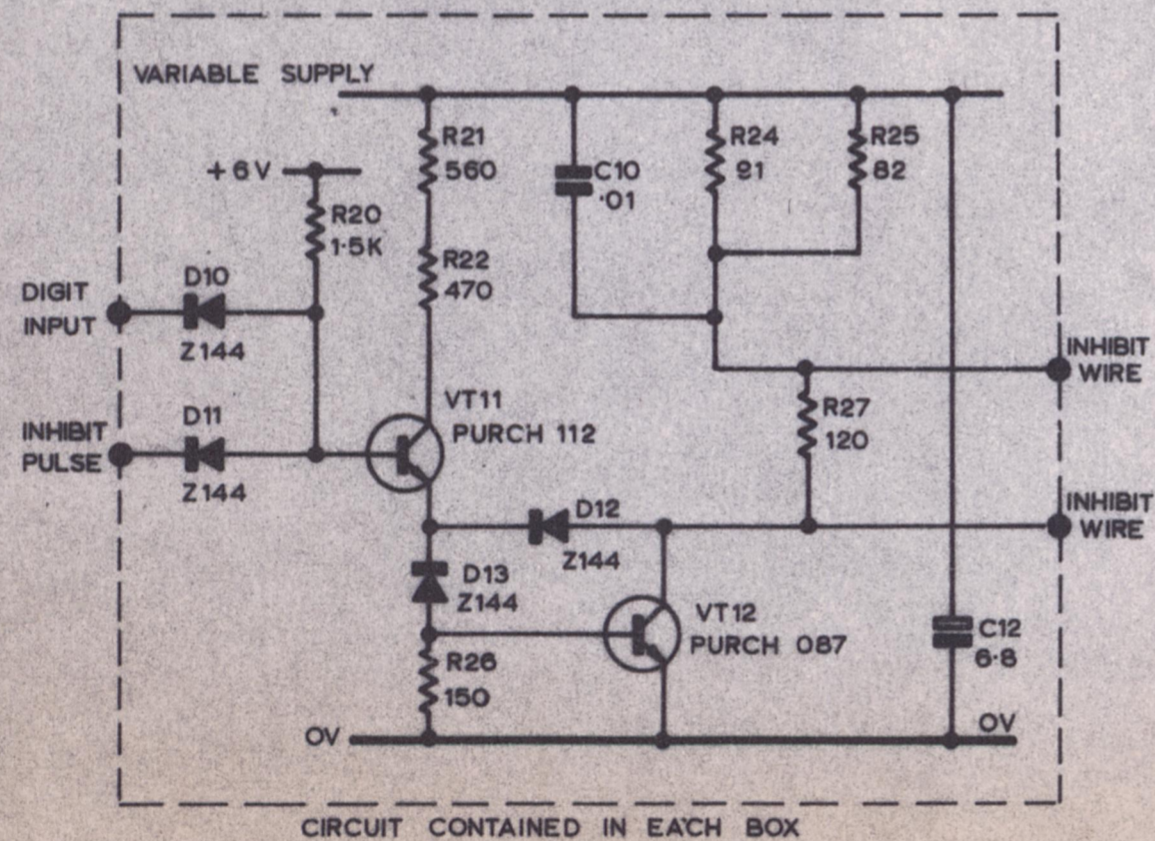
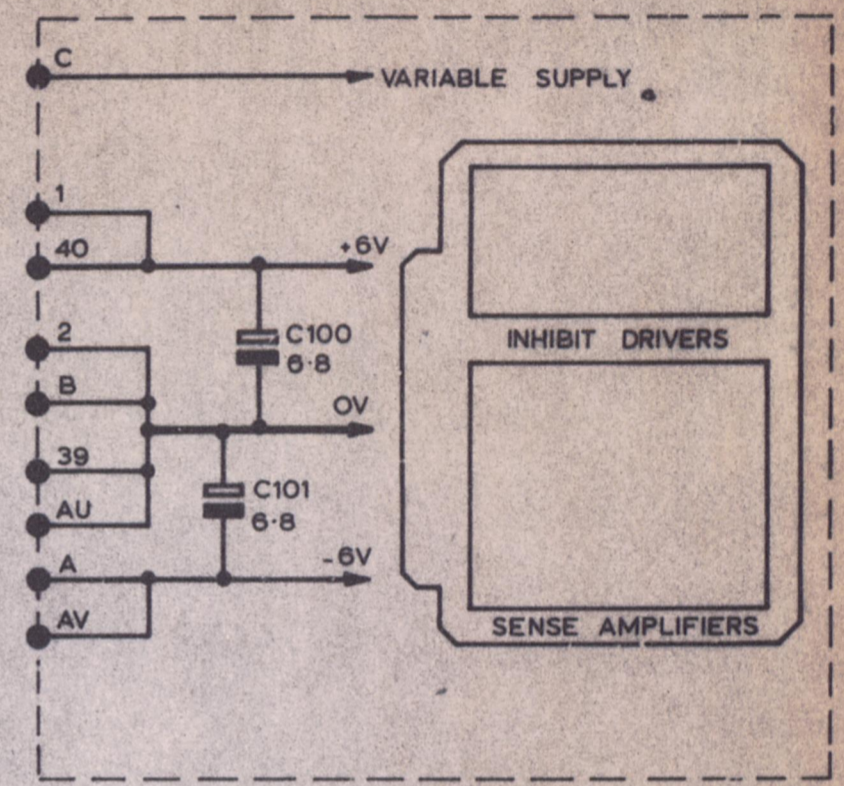
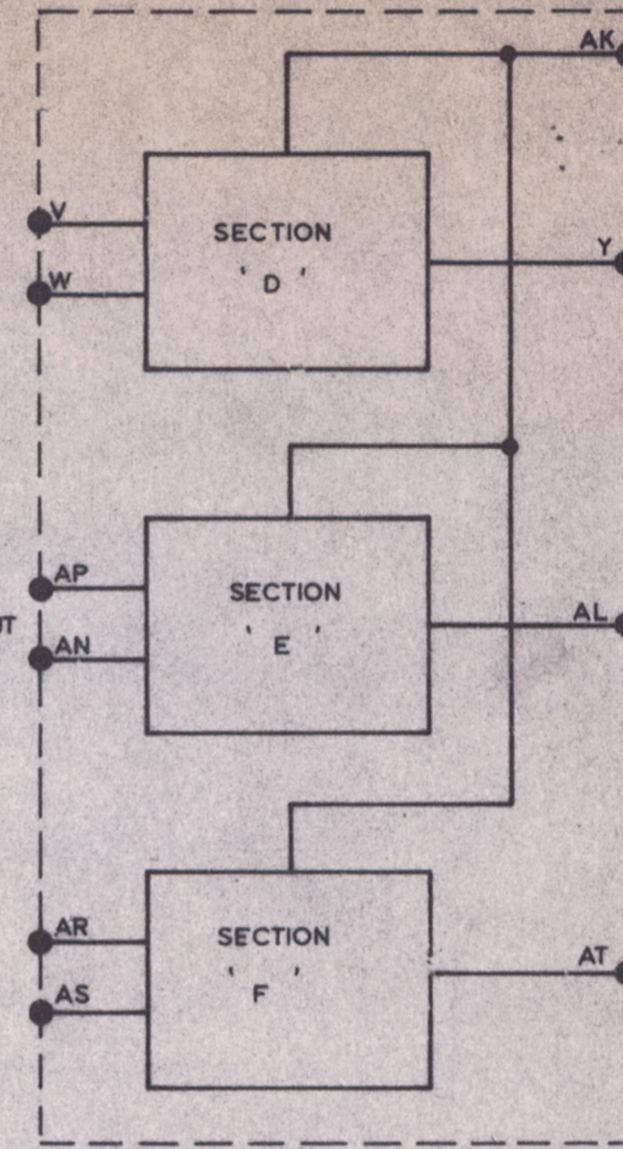
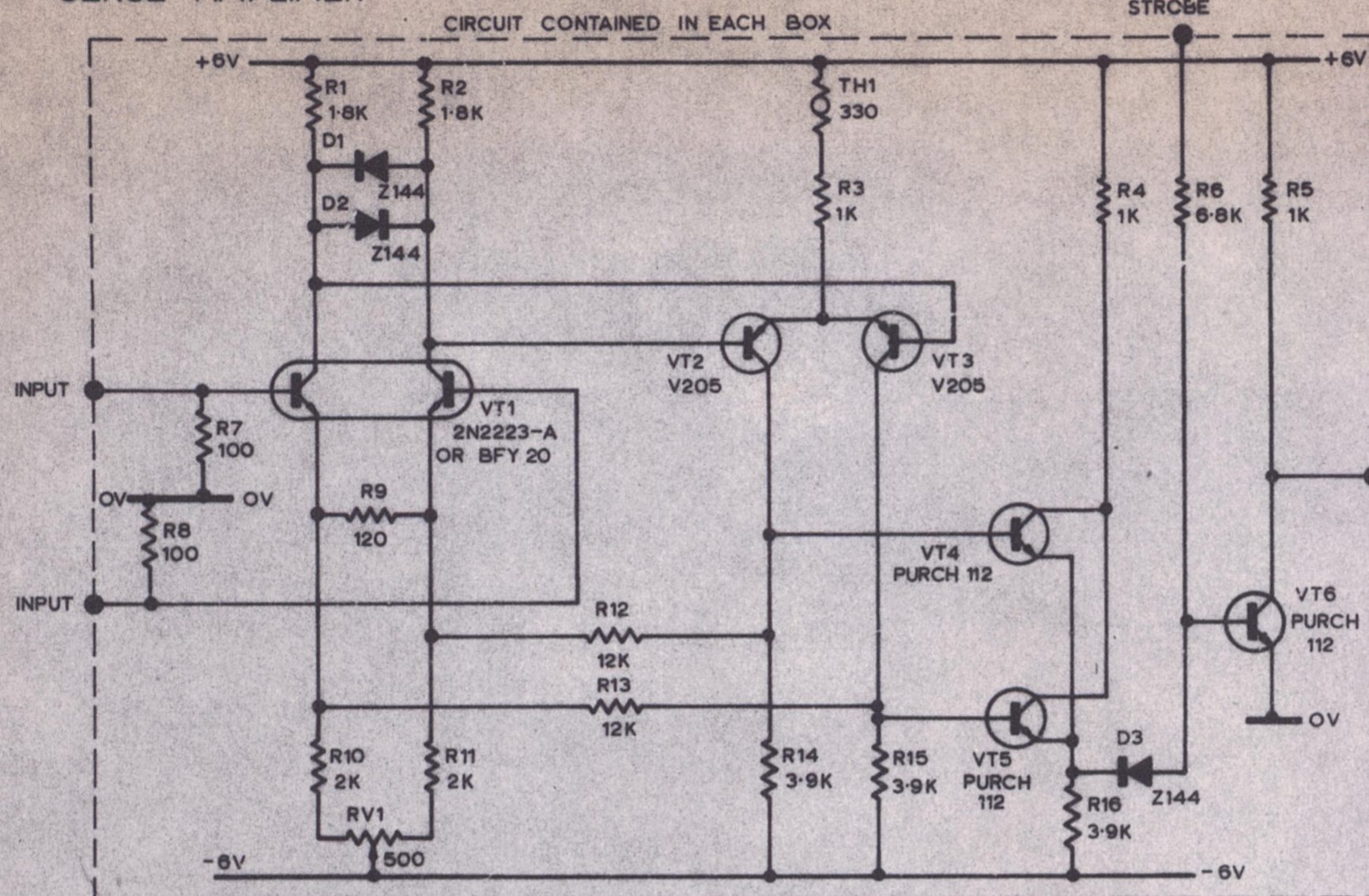


USED ON
A 4194

SENSE AMPLIFIER



INHIBIT DRIVER

920B COMPUTER
A-EA3 UNIT

A24

LATEST MI INCORPORATED MI. ~~2998~~ 2998

ISSUE No.	3
ALTERATION No.	1681
DATE	4.11.66
INITIALS	L.J.E.
PARTS LIST No.	
DRAWN	L.J.EVERETT
CHECKED	B.B. (CS 832)
APPROVED	D.H.S.
DATE	16-11-66

MATERIAL _____ FINISH _____

© Elliott Brothers (London) Limited
THIS DRAWING IS THE PROPERTY OF ELLIOTT BROTHERS (LONDON) LIMITED AND MAY NOT BE COPIED, REPRODUCED OR DISCLOSED FOR ANY PURPOSE EXCEPT AS AUTHORIZED IN WRITING BY ELLIOTT BROTHERS (LONDON) LIMITED

ELLIOTT BROTHERS (LONDON) LTD	
TOLERANCES LINEAR UNMACHINED SURFACES ± MACHINED SURFACES ± ANGULAR DIMENSIONS ± UNLESS OTHERWISE STATED	TITLE 920B COMPUTER A-EA3 UNIT
SCALE	DRAWING No. 322 C 4195